

# Replacement Parts



## List EmberGlo® Steamer Model ES10T / ES10PB

*Tap Water Operation  
Designed to Operate  
Without Distilled Water*



Manual Push Button Operation  
Steamer with Direct Water Hookup  
Full Size Food Pan

<i>Models</i>	<i>Description</i>	<i>Volts</i>	<i>BOMs</i>
ES10PB	Manual Push Button with Direct Connect Water Hook-up	120V	5401000
ES10T	Automatic, Programmable Timer Operation, with External Cycle Timer and Direct Connect Water Hook-up	240V	5402000

Installation and Service Manual - 8470-77

Model ES10 first construction May, 1983

Items listed are replacement parts for the current Model ES10 Tap Water Steamer and its components.

- EmberGlo Steamers do not require a separate hood for vapor produced during operation according to the Uniform Mechanical Codes per the International Conference of Building Officials Code.



**EmberGlo®**

EmberGlo  
A Div of Midco® International Inc.  
4140 West Victoria Street  
Chicago, Illinois 60646  
toll free 866.705.0515  
tel 773.604.8700  
fax 773.604.4070  
web www.emberglo.com  
e-mail sales@emberglo.com

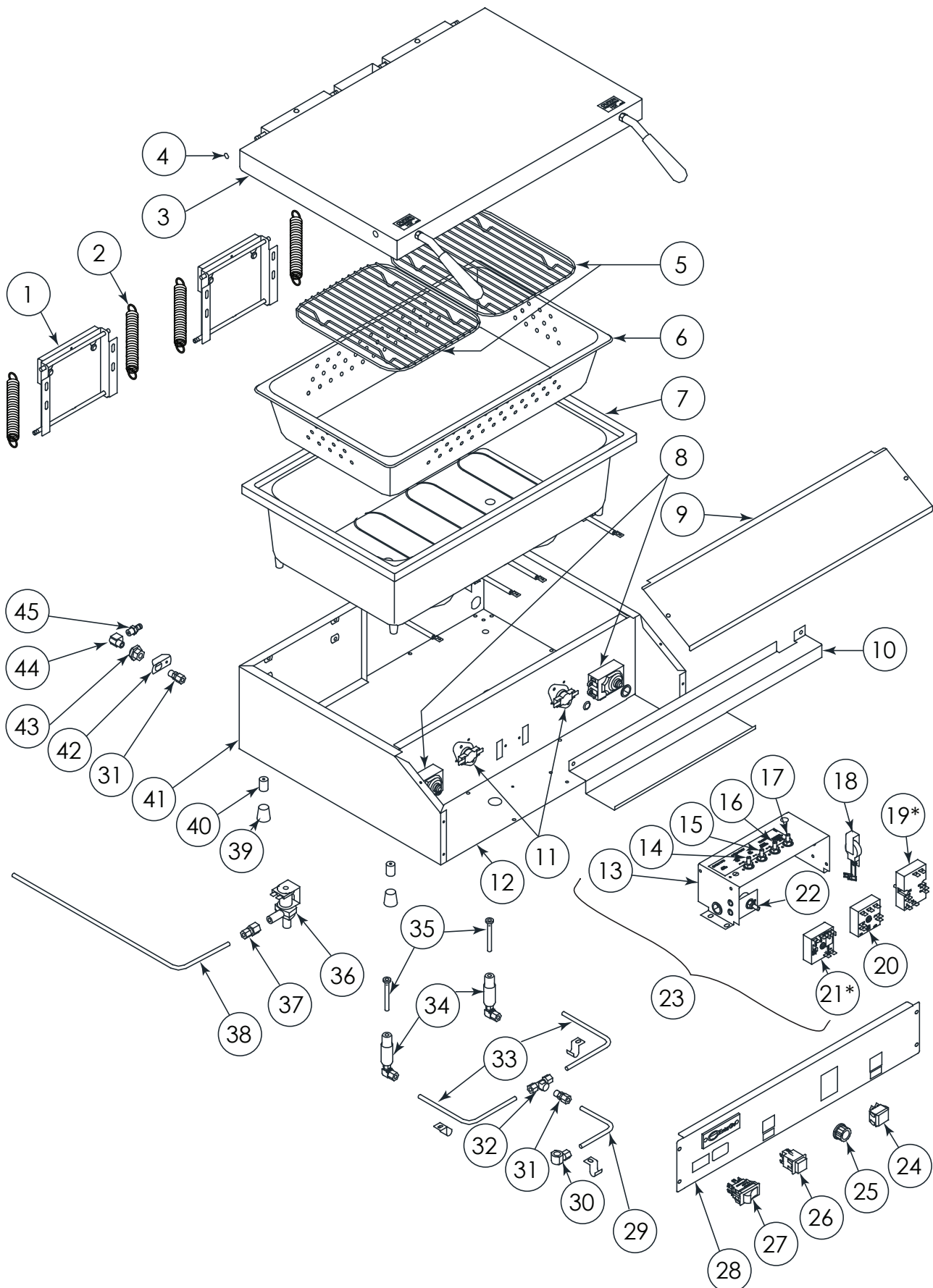
**AVOID ERROR IN PARTS SELECTION.** When ordering use complete EmberGlo Part Number and Description. Furnish Model Number, Bill of Material Number and Serial Number (if available) from the specification plate found on the product.

**IMPORTANT:** Availability of parts as well as specifications are subject to change without notice.

*Quality Designed for Proven Performance*

716  
8472 62  
Printed in USA

# ES10 Exploded View



\* NOTE: For item numbers 19 & 21, order part number 2535-15 for units prior to 2005.

# ES10 Parts List

Item #	Part #	Description	Qty	Item #	Part #	Description	Qty
1	1421-45	Back Hinge Kit (Less Spring Bar & Spring)	2	38	2513-00	Water Inlet Tube	1
2	1420-40	Hinge Spring	4	39	8450-25	Rubber Feet	4
3	2522-00	Lid Assembly	1	40	5661-80	Aluminum Leg	4
4	8432-08	5/16 X 3/16 O - Ring	4	41	2510-00	Cabinet Weldment	1
5	5608-50	Food Pan Grid	2	42	1409-90	Bulkhead Retainer	1
6	2527-00	Food Pan	1	43	1408-40	Bulkhead Fitting	1
7	2504-00	Generator 120V-3200 Watts	1	44	8483-15	1/8" Brass Street El	1
8	2500-12	Thermal Fuse / Thermostat Kit	2	45	8451-47	Quick Connect Insert	1
9	2516-00	Control Access Cover	1	Not Shown			
10	2539-00	Controls Guard	1	1404-00	Side Insulation		2
11	8425-41	Thermal Cut-Off	2	1404-20	Rear Insulation		2
12	2511-00	Bottom Panel	1	1404-30	Bottom Insulation		2
13	2526-00	Timer Panel	1	1408-70	Hose Assembly (Complete)		1
14	2528-30	100k Ohm Potentiometer - Blu/W Leads	1	1412-60	Nozzle Spring		2
15	2528-20	1-Meg Ohm Potentiometer - Orn Leads	1	2528-80	680K In-Line Resistor		1
16	2528-10	1-Meg Ohm Potentiometer - Blu Leads	1	2532-00	Power Cord Assembly		1
17	2528-00	1-Meg Ohm Potentiometer - Brn Leads	1	2540-50	Switch Panel Push Button Kit		1
18	1425-00	Buzzer Assembly 120V-3200 Watts	1	2541-50	Switch Panel Timer Kit		1
19	8406-63 *	Buzzer Timer	1 *	5601-40	Generator Insulation		1
20	8406-62	Shot Timer	1	8408-96	Hubbel Receptacle		2
21	8406-64 *	20 Minute Timer	1 *	Accessories - Not Shown			
22	2528-40	1-Meg Ohm Potentiometer -Brn/with Leads	1	5682-60	Tortilla Grid Style		
23	2530-00	Timer Assembly	1	5608-70	Three in 1 Basket Kit w/ Handle		
24	8423-34	Lighted On-Off Dpst Switch	1	5608-72	1/2 Size Basket w/ Handle		
25	8445-27	Knob For 2528-40	1	5608-73	Two of 1/4 Size Basket w/ Handle		
26	8423-36	Push Button Switch	1	2070610	Egg Poacher 4 Cup		
27	8423-35	Mode Rocker Switch	1	2070615	Egg Poacher 6 Cup		
28	2512-21	Switch Panel	1	8450-62	Steam Generator Cleaning Brush		
29	2514-00	Solenoid Water Tube	1	* NOTE: for item numbers 19 & 21, order part number 2535-15 for units prior to 2005			
30	8483-16	1/4" FPT x 1/4" T Brass Comp. El	1				
31	8483-14	1/8" M x 1/4" T Straight Brass Comp. Fit	2				
32	8483-20	1/4" T x 1/4" T X 1/8" F Comp. Tee	1				
33	2515-00	Left and Right Water Inlet Tube	2				
34	1402-70	Water Inlet Assembly (Complete)	2				
35	1411-20	Nozzle Assembly	2				
36	8402-26	1/4" NPT Solenoid Valve - 120V	1				
37	8483-49	1/4" x 1/4" T Str. Connect	1				

## ADJUSTABLE HINGE FOR 2-POSITION LID OPENING (60° OR 90° OPEN)

First construction January 29, 1990 (date code 0590). Steamers built before this date featured a 90° opening lid. Replacement parts for the early construction are no longer available. When replacing order Part Number 1421-45 ADJUSTABLE HINGE RETROFIT KIT.

Item #	Part #	Description	Qty
1	1421-40	Adjustable Upper Hinge	1
2	1421-51	Lid Stop Rivetment	1
3	1421-41	Upper Hinge Bar	1
4	1421-01	Adjustable Lower Hinge	1
5	8432-08	5/16" x 3/16" O-Ring	2
Not Shown - (Sold Separately)			
	1420-00	Spring Bar	2
	1420-40	ES Hinge Spring	2

